



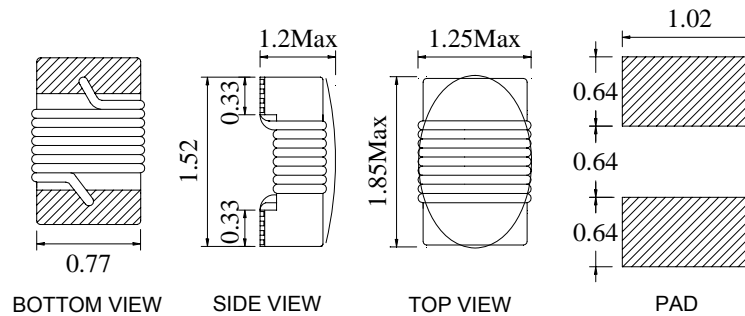
CM0603 Series SMD Chip Inductor



Features:

- Ceramic based core material for high frequency application.
- 0603 footprint, 1.2 mm Max. height.
- Custom value and tolerance are available.
- Tape & Reel quantity on 7" reel: 2,000 pcs.

Mechanical Dimmensions (Unit: mm)



Electrical Specifications						
Part Number	Inductance (nH)	Tolerance*	Q Min.	S.R.F Min. (MHz)	DCR Max. (Ω)	I _{max} (mA)
CM0603-1N8U	1.8 @ 250MHz	M	16 @ 250MHz	6000	0.045	700
CM0603-3N9U	3.9 @ 250MHz	K,M	20 @ 250MHz	6000	0.08	700
CM0603-4N7U	4.7 @ 250MHz	K,M	10 @ 250MHz	5800	0.20	700
CM0603-6N8U	6.8 @ 250MHz	J,K,M	25 @ 250MHz	5800	0.11	700
CM0603-10NU	10 @ 250MHz	J,K,M	30 @ 250MHz	4800	0.13	700
CM0603-12NU	12 @ 250MHz	J,K,M	30 @ 250MHz	4000	0.13	700
CM0603-15NU	15 @ 250MHz	J,K,M	30 @ 250MHz	4000	0.17	700
CM0603-18NU	18 @ 250MHz	J,K,M	30 @ 250MHz	3100	0.17	700
CM0603-22NU	22 @ 250MHz	J,K,M	35 @ 250MHz	3000	0.19	700
CM0603-27NU	27 @ 250MHz	J,K,M	35 @ 250MHz	2800	0.22	600
CM0603-33NU	33 @ 250MHz	J,K,M	35 @ 250MHz	2300	0.22	600
CM0603-39NU	39 @ 250MHz	J,K,M	35 @ 250MHz	2200	0.25	600
CM0603-47NU	47 @ 200MHz	J,K,M	35 @ 250MHz	2100	0.28	600
CM0603-56NU	56 @ 200MHz	J,K,M	35 @ 250MHz	1900	0.31	600
CM0603-68NU	68 @ 200MHz	J,K,M	35 @ 250MHz	1700	0.34	600
CM0603-72NU	72 @ 150MHz	J,K,M	34 @ 250MHz	1700	0.49	400
CM0603-82NU	82 @ 150MHz	J,K,M	34 @ 250MHz	1700	0.54	400
CM0603-R10U	100 @ 150MHz	J,K,M	34 @ 250MHz	1400	0.71	400
CM0603-R11U	110 @ 150MHz	J,K,M	32 @ 250MHz	1350	0.75	300
CM0603-R12U	120 @ 150MHz	J,K,M	32 @ 250MHz	1300	0.79	300
CM0603-R15U	150 @ 150MHz	J,K,M	28 @ 150MHz	990	0.92	280
CM0603-R18U	180 @ 100MHz	J,K,M	25 @ 100MHz	990	1.25	240
CM0603-R22U	220 @ 100MHz	J,K,M	25 @ 100MHz	990	1.90	200
CM0603-R27U	270 @ 100MHz	J,K,M	24 @ 100MHz	990	2.30	170

*Tolerance Code: J = 5%, K = 10%, M = 20%.