



C20530 Series

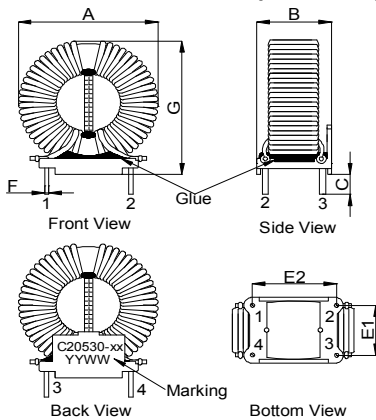


1. Features:

- Single wire wound and very compact design.
- Inductance Range:9.0mH to 65.0mH. Custom values are welcomed.
- Excellent EMI suppression capability over wide frequency spectrum.
- High current capability.
- Lower core loss, lower distributed capacitance.
- Dielectric strength:1500Vrms.
- Coil mount on UL94-V0 rated plastic head.
- Fixed pin spacing allow easy PCB insertion.
- Operating temperature:-55 to + 130°C , RoHS & HF compliance.



2. Mechanical Dimension(Unit:mm):



Unit in mm:

Part Number	A Max	B Max	C ±0.5	E1 ±0.5	E2 ±0.5	F ±0.1	G Max
C20530-01	35.0	19.5	5.0	10.16	20.32	1.27	36.0
C20530-02	33.5	19.5	5.0	10.16	20.32	1.27	36.0
C20530-03	33.0	18.5	5.0	10.16	20.32	1.27	35.0
C20530-04	32.0	17.5	5.0	10.16	20.32	1.27	35.0
C20530-05	32.0	17.5	5.0	10.16	20.32	1.27	35.0
C20530-06	32.0	17.5	5.0	10.16	20.32	1.27	35.0

3. Electrical Characteristic of C20530 Series:

Part Number	L (mH) ±35%	Irate (A) Max	DCR (Ω) Max
C20530-01	9.0	14.5	0.0085
C20530-02	10.5	8.9	0.0120
C20530-03	14.0	5.6	0.0195
C20530-04	23.5	4.0	0.0360
C20530-05	45.0	2.4	0.0850
C20530-06	65.0	1.7	0.1380

Test Condition:

1. Open Circuit Inductance (OCL) test condition:10KHz, 0.1Vrms,0A_{dc} , at 25 °C .
2. Irate is defined as the applied current level that cause approx 35 °C temperature rise without force air flow.
3. Impedance measures with both windings in parallel and at ambient temperature(25 °C).

4. Impedance vs. Frequency Curve:

