

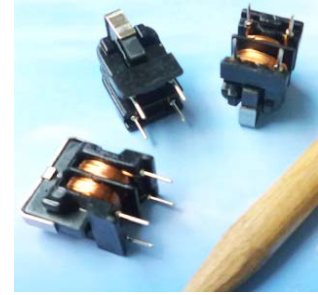


C20880 Series



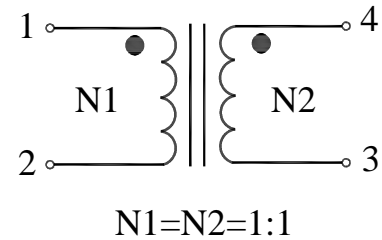
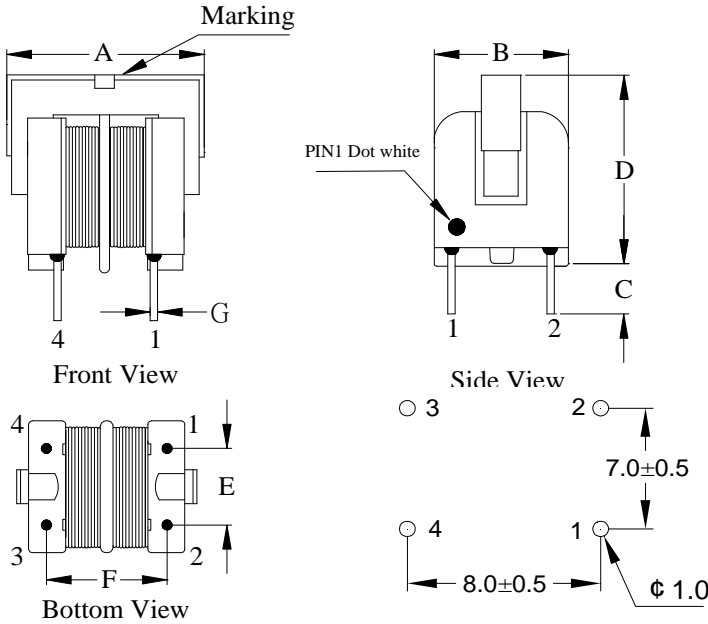
1. Features:

- 16.5x11.0mm Max.(LxW), 16.5mm Max. Height.
- Inductance range: 0.47mH~10mH. Custom values are welcomed.
- Rated current up to 1.0A.
- Ideally used as AC common mode noise filter for TV, VCR, Switching power supply, PC&PC related advice, measurement attenuation and control unit with better characteristics in low frequency band.
- Operating Temperature Range -40°C to +125°C ; RoHs & HF compliance .



2. Mechanical Dimension(Unit:mm):

A (Max.)	B (Max.)	C ± 0.5	D (Max.)	E ± 0.3	F ± 0.3	G ± 0.1
16.50	11.00	4.00	16.50	7.00	8.00	0.60



Notes: "•" START OF WINDING

3. Electrical Characteristic of C20880 Series:

Part Number	Inductance (1-2),(4-3) (mH) Min.	Inductance difference (1-2)-(4-3) (mH) Max.	DCR (1-2),(4-3) (Ω) Max.	I _{rate} ² @25°C (A)
C20880-01	0.470	0.025	0.150	1.000
C20880-02	0.680	0.025	0.250	0.850
C20880-03	1.000	0.050	0.350	0.700
C20880-04	2.200	0.050	0.700	0.500
C20880-05	3.900	0.100	1.200	0.380
C20880-06	4.700	0.100	1.600	0.340
C20880-07	6.800	0.150	2.500	0.250
C20880-08	10.000	0.200	4.000	0.200

Note:

- 1>.Open Circuit Inductance(OCL) are measured at: 1KHz, 0.25V ;(Ta=25°C).
- 2>.I_{rate}: The DC current at which the temperature rise is ΔT=40°C;(Ta=25°C).