



C30540 Series

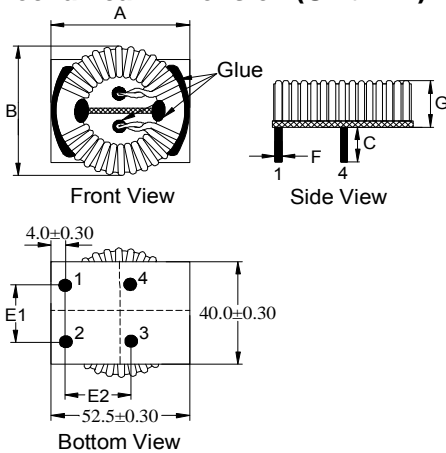


1. Features:

- Single wire wound and very compact design .
- Inductance Range:3.0mH to 4.5mH. Custom values are welcomed.
- Excellent EMI suppression capability over wide frequency spectrum .
- High current rating up to 45 Amp.
- Lower core loss, lower distributed capacitance .
- Dielectric strength:1500Vrms .
- Coil mount on UL94-V0 rated plastic header .
- Fixed pin spacing allow easy PCB insertion .
- Operating temperature:-55 to + 130°C , RoHS & HF compliance.



2. Mechanical Dimension (Unit:mm):



Unit in mm:

A	B	C	E1	E2	F	G
Max	Max	±0.5	±0.5	±0.5	Max	Max
54.00	53.50	5.00	18.50	22.00	5.00	31.00

3. Electrical Characteristic of C30540 Series:

Part Number	L (mH) Min	I _{rate} (A) Max	DCR (mΩ) Max
C30540-01	3.0	45.0	2.6
C30540-02	4.5	40.0	3.5

Test Condition:

1. Open Circuit Inductance (OCL) test condition: 10KHz, 0.1Vrms, 0A_{dc} ,at 25 °C .
2. I_{rate} is defined as the applied current level that cause approx 35 °C temperature rise without force air flow.
3. Impedance measures with both windings in parallel and at ambient temperature(25 °C).

4. Impedance vs. Frequency Curve:

