

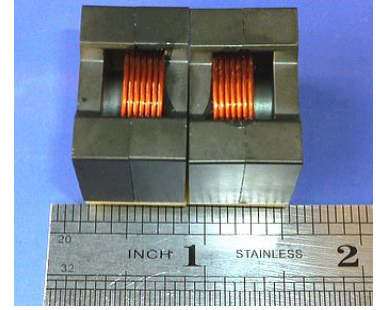


# L30927-x Series



## 1. Features:

- Ferrite based Power Inductor with lower core loss.
- Inductance Range:3.3uH to 33.0uH,Custom values are welcomed.
- High current output chokes, upto 99.0 Amp with approx. 20% roll off.
- Low Profile 22.74mm Max. height .
- Foot Print 27.43 x 16.97 mm Max.
- Ideal for high current power supply,Class-D .
- Operating frequency up to 1 MHz application.
- Operating Temperature Range -40°C to + 125°C , RoHs & HF compliance .
- Packing :30pcs per tray , 300pcs per carton ;

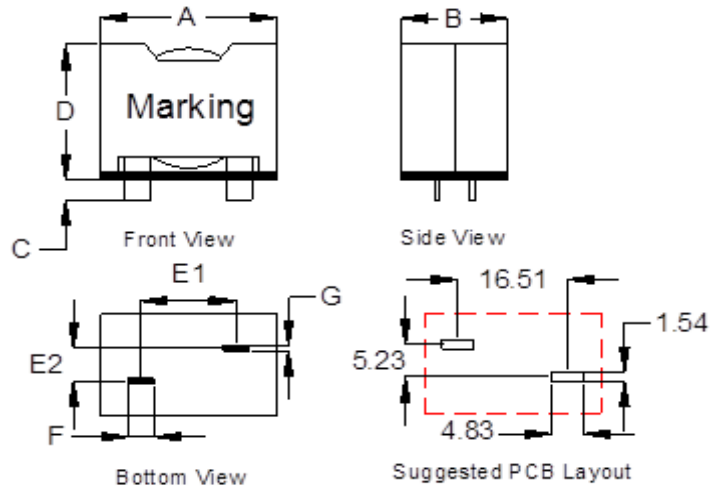


## 2. Electrical Characteristic of L30927-x Series:

| Part Number | Inductance<br>(uH)<br>±10% | DCR<br>(mΩ)<br>Typical | DCR<br>(mΩ)<br>Max. | SRF<br>(MHz)<br>Typ. | Isat<br>(A)      |                  |                  | Irms<br>(A)   |               |
|-------------|----------------------------|------------------------|---------------------|----------------------|------------------|------------------|------------------|---------------|---------------|
|             |                            |                        |                     |                      | rolls off<br>10% | rolls off<br>20% | rolls off<br>30% | 20 °C<br>Rise | 40 °C<br>Rise |
| L30927-1    | 3.30                       | 2.30                   | 2.60                | 40.0                 | 97.00            | 99.00            | >100.00          | 19.00         | 26.00         |
| L30927-2    | 4.70                       | 2.30                   | 2.60                | 30.0                 | 72.00            | 74.00            | 76.00            | 19.00         | 26.00         |
| L30927-3    | 6.80                       | 2.30                   | 2.60                | 25.0                 | 50.00            | 53.00            | 54.50            | 19.00         | 26.00         |
| L30927-4    | 10.00                      | 2.30                   | 2.60                | 20.0                 | 30.00            | 34.00            | 37.00            | 19.00         | 26.00         |
| L30927-5    | 15.00                      | 2.30                   | 2.60                | 16.0                 | 20.50            | 23.00            | 24.50            | 19.00         | 26.00         |
| L30927-6    | 22.00                      | 2.30                   | 2.60                | 13.0                 | 12.20            | 14.70            | 16.40            | 19.00         | 26.00         |
| L30927-7    | 33.00                      | 2.30                   | 2.60                | 10.0                 | 7.50             | 9.20             | 10.30            | 19.00         | 26.00         |

## 3. Mechanical Dimension(Unit:mm):

| A     | B     | C     | D     | E1    | E2    | F    | G    |
|-------|-------|-------|-------|-------|-------|------|------|
| ±0.51 | ±0.51 | ±0.30 | ±0.51 | ±0.50 | ±0.50 | Nom. | Nom. |
| 26.92 | 16.46 | 3.30  | 22.23 | 16.51 | 5.23  | 3.80 | 0.76 |



### Note:

- 1>. Open Circuit Inductance (OCL) test condition:300KHz,0.1Vrms,0A<sub>dc</sub> ,at 25 °C.
- 2>. Full Load Inductance (FLL) Test condition:300KHz,0.1Vrms ,Isat ;(Ta=25 °C).
- 3>. Isat: DC current that will caused the inductance to drops approximately by 10% or 20% or 30% ;
- 4>. I<sub>rms</sub>: DC current that will caused a specified temperature rise of the winding without core loss ;