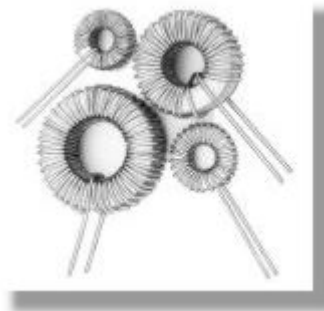


AP Series Through-Hole Custom Toroid Choke

Features:

- Compact size high performance low cost.
- Withstands large current loads.
- Low leakage and minimal acoustic noise

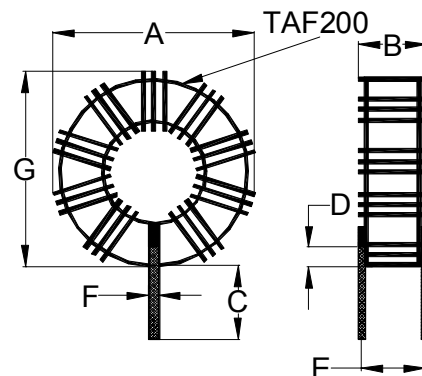


Application:

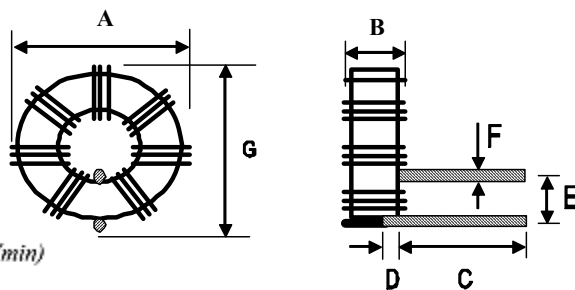
- For equipment using thyristor such as SCR triac, etc. (* Speed Control, * Heating Control, * Lighting Control)
- Prevention of switching power supply input/output EMI/RFI
- For countermeasures against spike noise of DC circuit of switching power supply.
- Custom designs are welcomed!

Below are some examples. For custom design chokes, please contact Inter-Technical

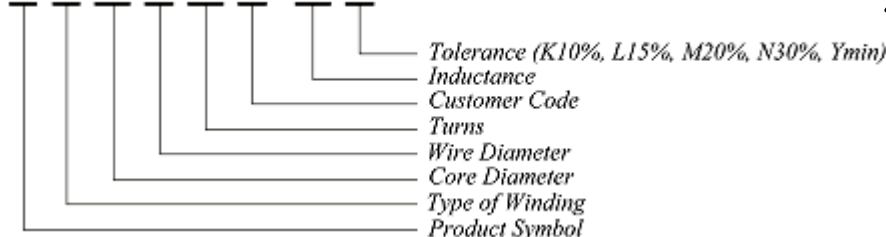
Part Number	A (mm)	B (mm)	C (mm)	D (mm)	E (mm)	F (mm)	G (mm)	L (μH) 10 KHz 0.25V	DCR (mΩ) MAX.
AP103018004J-R5M(A)	11.0 max	6.5 max	10.0±0.1	0 min	5.5 ± 1.0	Ø 1.0 (ref)	N/A	0.50	2.5
AP104820005M-1R7L	15.0 max	12.5 max	4.0±0.8	0 min	11.5±1.0	Ø 1.9 max	N/A	1.75	2.8
AP106822010L-4R0LU	21.0 max	8.2 max	6.0±1.0	0 min	7.0±1.0	Ø 1.5 max	19.5 max	4.05	5.80



Part Number	A (mm)	B (mm)	C (mm)	D (mm)	E (mm)	F (mm)	G (mm)	L (μH) 300 KHz 0.1V	DCR (mΩ) MAX.
AP106821008L-2R5L	21.6 max	8.89 max	3.6±0.6	0 min	7.75±1.0	2.3 max	22.9 max	2.56	3.0



AP 1 030 18 005 □ -1R0 □



Inter-Technical, LLC, PO Box 535, 175 Clearbrook Road, Elmsford, NY 10523

Phone: 914-347-2474

Fax: 914-347-7230

www.inter-technical.com
sales@inter-technical.com

Rev. A, January 20, 2004