



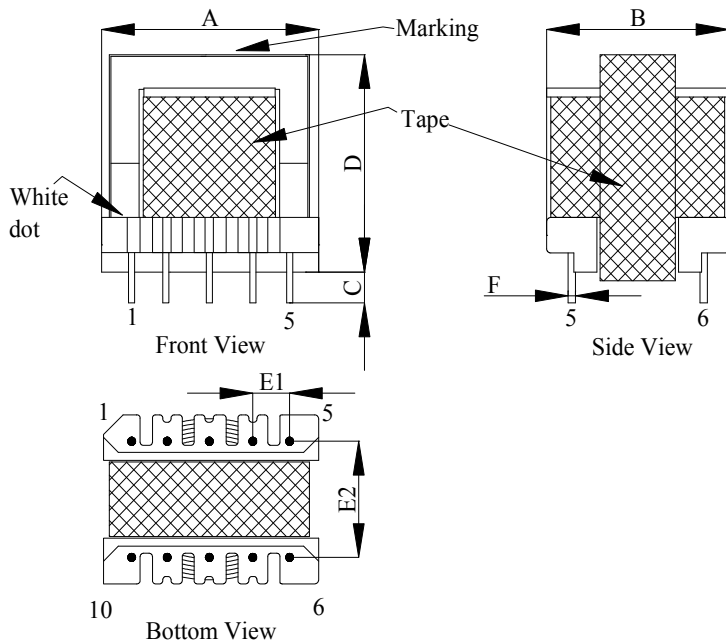
SPECIFICATION FOR APPROVAL



OUTLINE DIMENSION

CUSTOMER	*	DESCRIPTION	EF25 Transformer
CUSTOMER PART NO.		VERSION	1.0
PART NO	T20996	PAGE NO	1 OF 3

1. OUTLINE DIMENSION(UNIT:mm):



A	27.50	Max.	mm
B	20.32	Max.	mm
C	3.04	± 0.6	mm
D	28.58	Max.	mm
E1	5.00	± 0.5	mm
E2	12.70	± 0.5	mm
F	0.80	± 0.1	mm

Note:

(1) The marking:

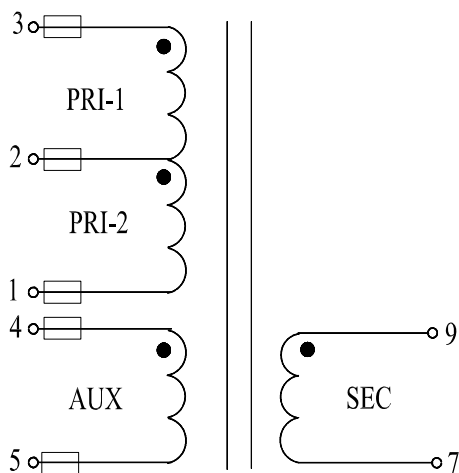
T20996 YY WW

YY: Year ; WW: Week.

(2) Fix cores with 3 Ts insulation tap ;

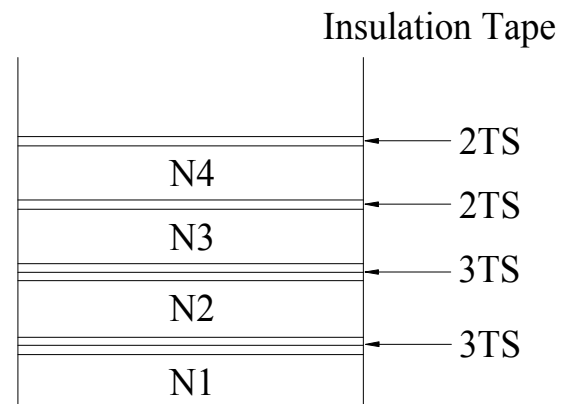
(3) Mark PIN1 with white;

2. SCHEMATIC DIAGRAM:



NOTES: "●" START OF WINDING

□ : TFL Tube



APPROVED BY

Richard Wen

CHECKED BY

Royi Luo

DRAWN BY

Mary Yang



SPECIFICATION FOR APPROVAL



WINDING & ELECTRICAL CHARACTERISTIC SPEC

CUSTOMER	*	DESCRIPTION	EF25 Transformer
CUSTOMER PART NO.		VERSION	1.0
PART NO	T20996	PAGE NO	2 OF 3

3. WINDING PARAMETER:

WINDING No.	MATERIAL SPEC.	Start PIN---Finish PIN	TURNS	MYLAR TAPE	MARGIN TAPE		Winding Method	REMARK
					TOP	PIN		
N1	UEF1/U \varnothing 0.38mm x 1P	3 - 2	47	3			Close	
N2	T.I.W \varnothing 0.55mm x 2P	9 - 7	16	3			Close	
N3	UEF1/U \varnothing 0.38mm x 1P	2 - 1	47	2			Close	
N4	UEF1/U \varnothing 0.19mm x 1P	4 - 5	11	2			Close	

NOTE: 1. T.I.W: Triple insulated wire;

4. ELECTRICAL CHARACTERISTIC:

NO.	ITEM	MEASURE POINT	TECHNICAL DATA	CONDICATION/REMARK
1	INDUCTANCE	Pin (3-1)	$690.0\mu\text{H} \pm 10.0\%$	10KHz 0.1V; Ta=25°C
2	Leakage Inductance	Pin (3-1)	27.0 uH Max.	100KHz 0.1V , Shorted pin4,5,7,9
3	DCR Test	Pin (3-1)	$0.733\Omega \pm 10\%$	Ta=25°C
		Pin (9-7)	$0.031\Omega \pm 10\%$	Ta=25°C
		Pin (4-5)	$0.416\Omega \pm 10\%$	Ta=25°C
4	Saturation current Test	Pin (3-1)	L drops off approx. 20%	Isat=2.70A, 10KHz 0.10V
5	HI-POT Test	PRI TO SEC	AC3.75KV	5mA 1S 50/60Hz
6	TURNS RATIO	Pin(3-1):Pin(9-7)	(5.875) : (1.00), $\pm 1\%$	20KHz 1.0V
		Pin(3-1):Pin(4-5)	(8.545) : (1.00), $\pm 1\%$	20KHz 1.0V

APPROVED BY Richard Wen	CHECKED BY Royi Luo	DRAWN BY Mary Yang
-----------------------------------	-------------------------------	------------------------------



SPECIFICATION FOR APPROVAL



DATA SHEET

CUSTOMER	*	DESCRIPTION	EF25 Transformer
CUSTOMER PART NO.		VERSION	1.0
PART NO	T20996	PAGE NO	3 OF 3

5.1 OUTLINE DIMENSION (UNIT:mm):

TEST ITEM	SPEC.				MAX	MIN	1	2	3	4	5	AVERAGE
A	27.50	Max.	mm		27.24	27.12	27.19	27.24	27.17	27.21	27.12	27.186
B	20.32	Max.	mm		18.68	18.42	18.42	18.57	18.59	18.68	18.52	18.556
C	3.04	±	0.60	mm	4.17	3.96	3.96	4.10	4.17	4.02	4.05	4.060
D	28.58	Max.	mm		26.24	25.91	25.91	26.07	26.03	26.04	26.24	26.058
E1	5.00	±	0.50	mm	5.07	4.97	4.97	5.03	5.02	5.07	4.99	5.016
E2	12.70	±	0.50	mm	12.87	12.81	12.84	12.85	12.87	12.87	12.81	12.848
F	0.80	±	0.10	mm	0.77	0.75	0.77	0.77	0.76	0.75	0.76	0.762

5.2 ELECTRICAL CHARACTERISTIC:

TEST ITEM	MEASURE POINT	TEST CONDITION	SPEC.	1	2	3	4	5	AVERAGE
INDUCTANCE	Pin (3-1)	10KHz 0.1V; Ta=25°C	690.0uH ± 10.0%	684.40	685.40	678.20	680.20	683.60	682.360
Lk	Pin (3-1)	100KHz 0.1V, Shorted pin4,5,7,9	27.0 uH Max.	15.690	13.230	13.720	13.250	12.780	13.734
DCR Test	Pin (3-1)	Ta=25°C	0.733Ω ± 10%	0.691	0.690	0.691	0.691	0.697	0.692
	Pin (9-7)	Ta=25°C	0.031Ω ± 10%	0.030	0.030	0.029	0.029	0.029	0.029
	Pin (4-5)	Ta=25°C	0.416Ω ± 10%	0.412	0.409	0.413	0.412	0.405	0.410
Saturation current Test	Pin (3-1)	Isat=2.70A, 10KHz 0.10V	L drops off approx. 20%	553.10	570.10	560.40	560.40	569.80	562.760
HI-POT Test	PRI TO SEC	AC3.75KV	5mA 1S 50/60Hz	PASS	PASS	PASS	PASS	PASS	N/A
TURNS RATIO	Pin(3-1):Pin(9-7)	20KHz 1.0V	(5.875) : (1.00), ±1%	5.900	5.890	5.900	5.885	5.895	5.894
	Pin(3-1):Pin(4-5)	20KHz 1.0V	(8.545) : (1.00), ±1%	8.590	8.500	8.515	8.495	8.500	8.520

5.3 TEST INSTRUMENTS:

L&Lk: WK3260B ;
L@Isat: WK3260B and WK3265B
DCR: Gain Kai Ta 502BCOHM;
HI-POT: CH19053.

APPROVED BY Richard Wen	CHECKED BY Royi Luo	DRAWN BY Mary Yang
-----------------------------------	-------------------------------	------------------------------